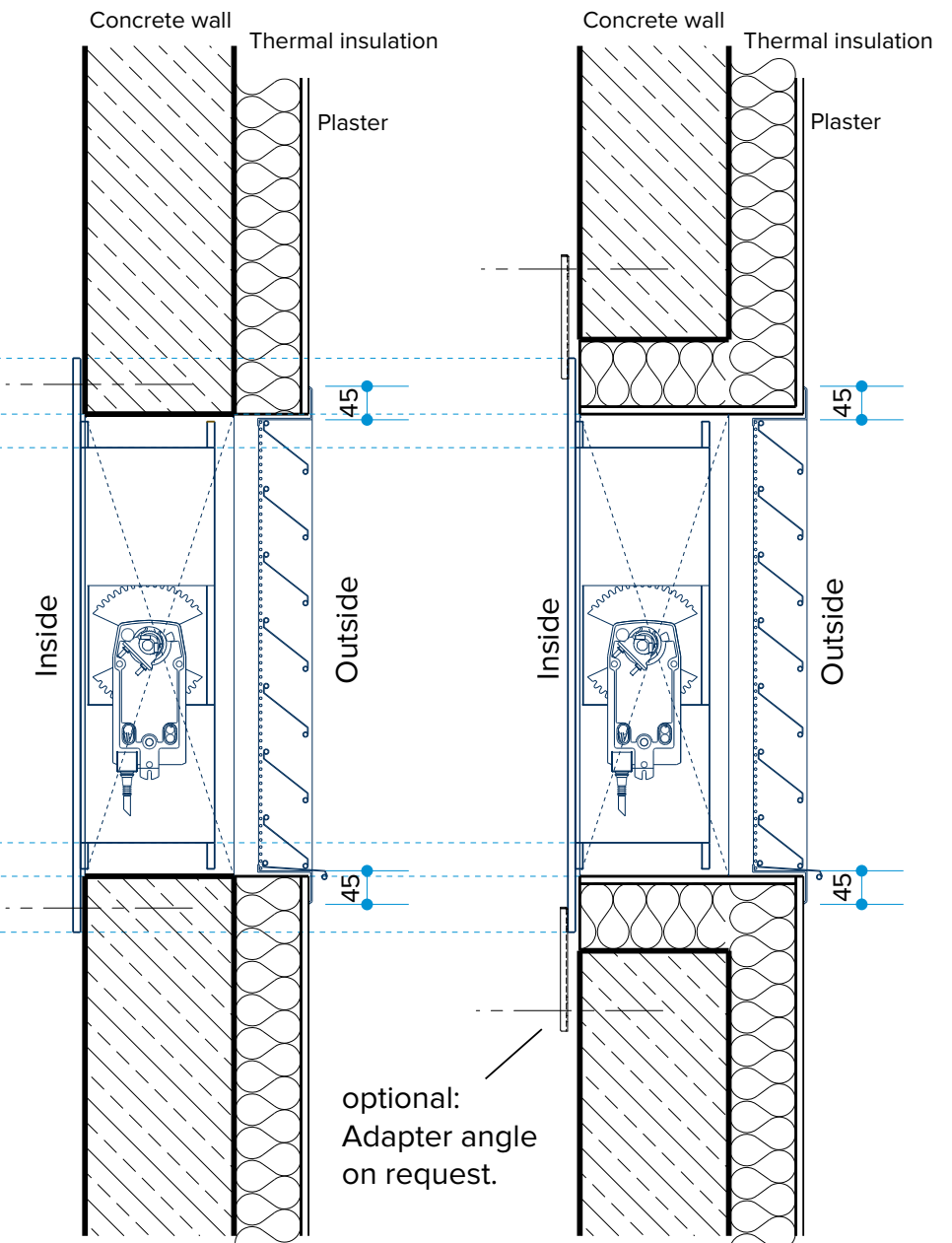


Inside view

Outside view

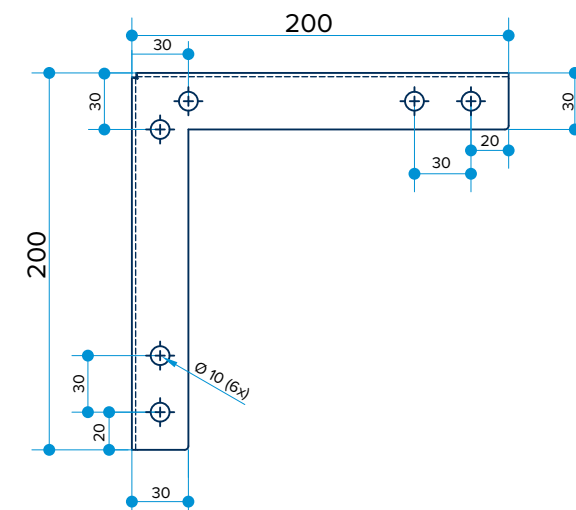


Section

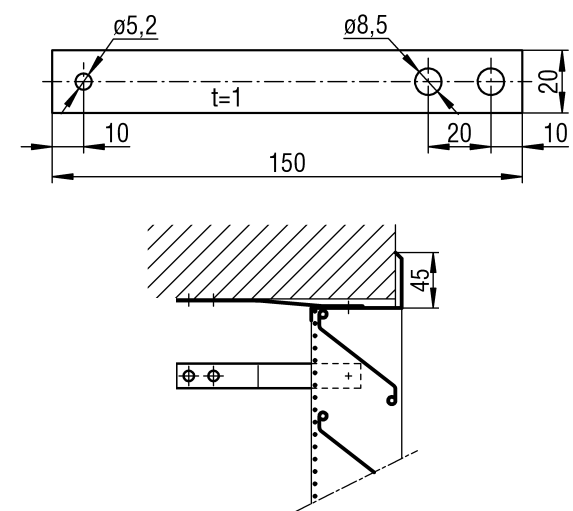
Alternative section

optional:
Adapter angle
on request.

Adapter angle



Installation angle



JK-180 HV ALAS* = Ventilation flap with mounting plate, spring return motor and weather protection grille incl. mounting feet

Designation according to the flap opening (mm) BxH	360x360	470x360	530x530	700x700	860x860	1030x1030	1200x1200
Net ventilation surface (m ²)	0,10	0,13	0,23	0,38	0,56	0,77	1,03
opening dimensions (mm) B1xH1	590x450	700x450	760x620	930x790	1090x950	1260x1120	1430x1290
Mounting plate dimensions (mm) B2xH2	740x600	850x600	910x770	1080x940	1240x1100	1410x1270	1580x1440
Article number	01.818.00	On demand	01.819.00	01.820.00	01.821.00	01.822.00	01.823.00

*Blind frame bore available upon request.



JK-180 HV ALAS
Ventilation flap with mounting plate and weather protection grille
Vertical installation (facade)

Date: 19/05/2020