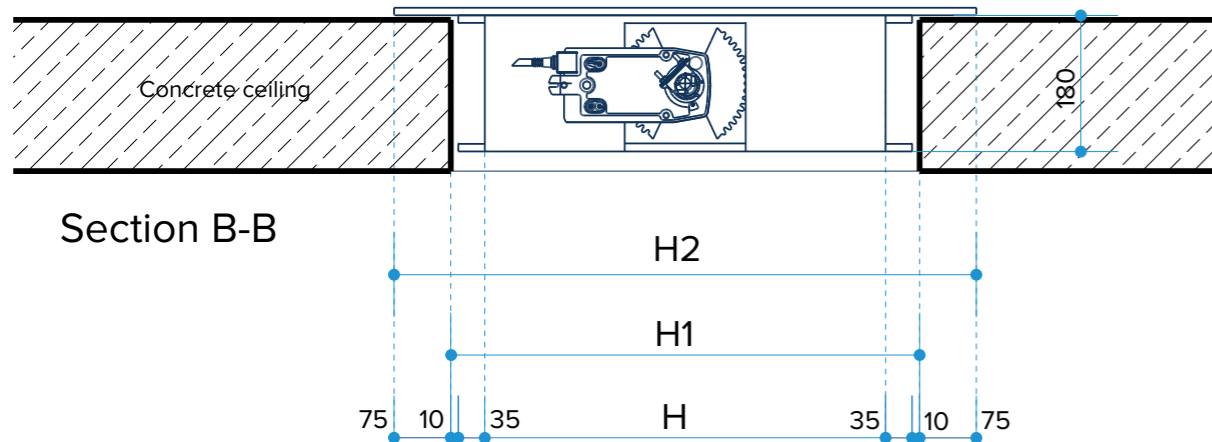
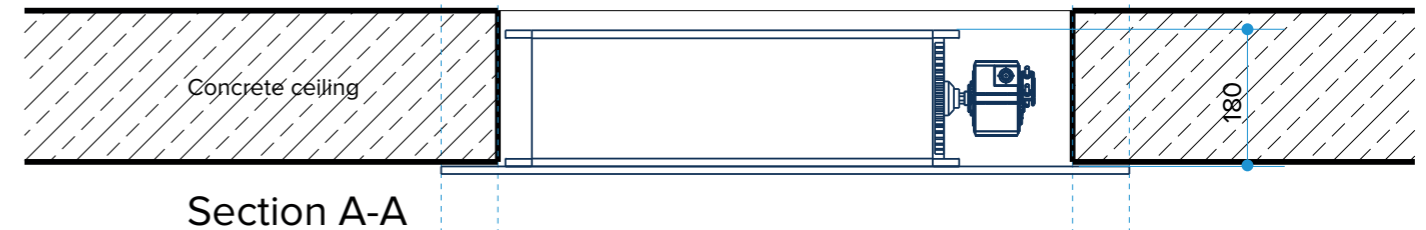
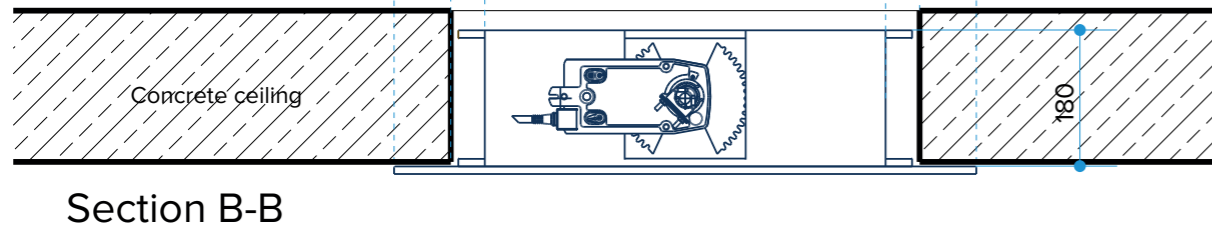


MOUNTING FROM THE ROOF



MOUNTING FROM THE SHAFT

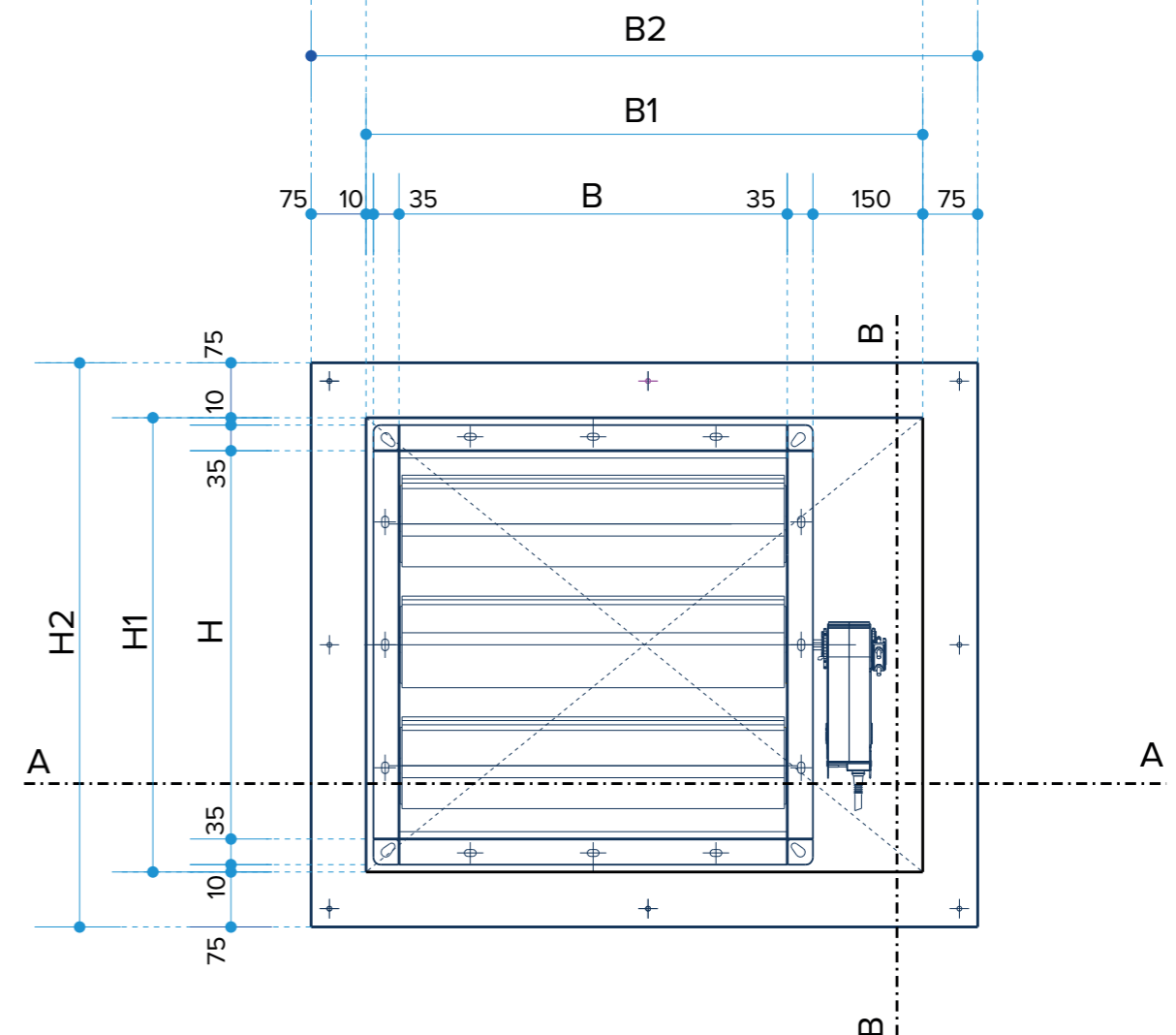


JK-180 HV = Ventilation flap with mounting plate and spring return motor
 JK-180 HV-dB = Ventilation flap with mounting plate and dB motor

Designation according to the flap opening (mm) BxH	360x360	470x360	530x530	700x700	860x860	1030x1030*	1200x1200*
Net ventilation surface (m ²)	0,10	0,13	0,23	0,41	0,62	0,90	1,22
Recommended opening dimensions (mm) B1xH1	590x450	700x450	760x620	930x790	1090x950	1260x1120	1430x1290
JK-180 HV: Minimal opening dimensions (mm) B1xH1**	530x450	640x450	700x620	870x790	1030x950	1200x1120	1370x1290
JK-180 HV-dB: Minimum opening dimensions (mm) B1xH1**	500x450	610x450	670x620	840x790	1000x950	-	-
Mounting plate dimensions (mm) B2xH2	740x600	850x600	910x770	1080x940	1240x1100	1410x1270	1580x1440
Article number JK-180 HV	01.723.00	01.723.50	01.726.00	01.725.00	01.727.00	01.728.00	01.729.00
Article number JK-180 HV-dB	01.723.99	01.723.95	01.726.99	01.725.99	01.727.99	-	-

*These sizes are not available with dB motor.

** When using the minimal opening, dimensions demounting of the flap is necessary for the maintenance or replacement of the motor.



JK-180 HV
JK-180 HV-dB

Ventilation flap with mounting plate

Date: 29/05/2020