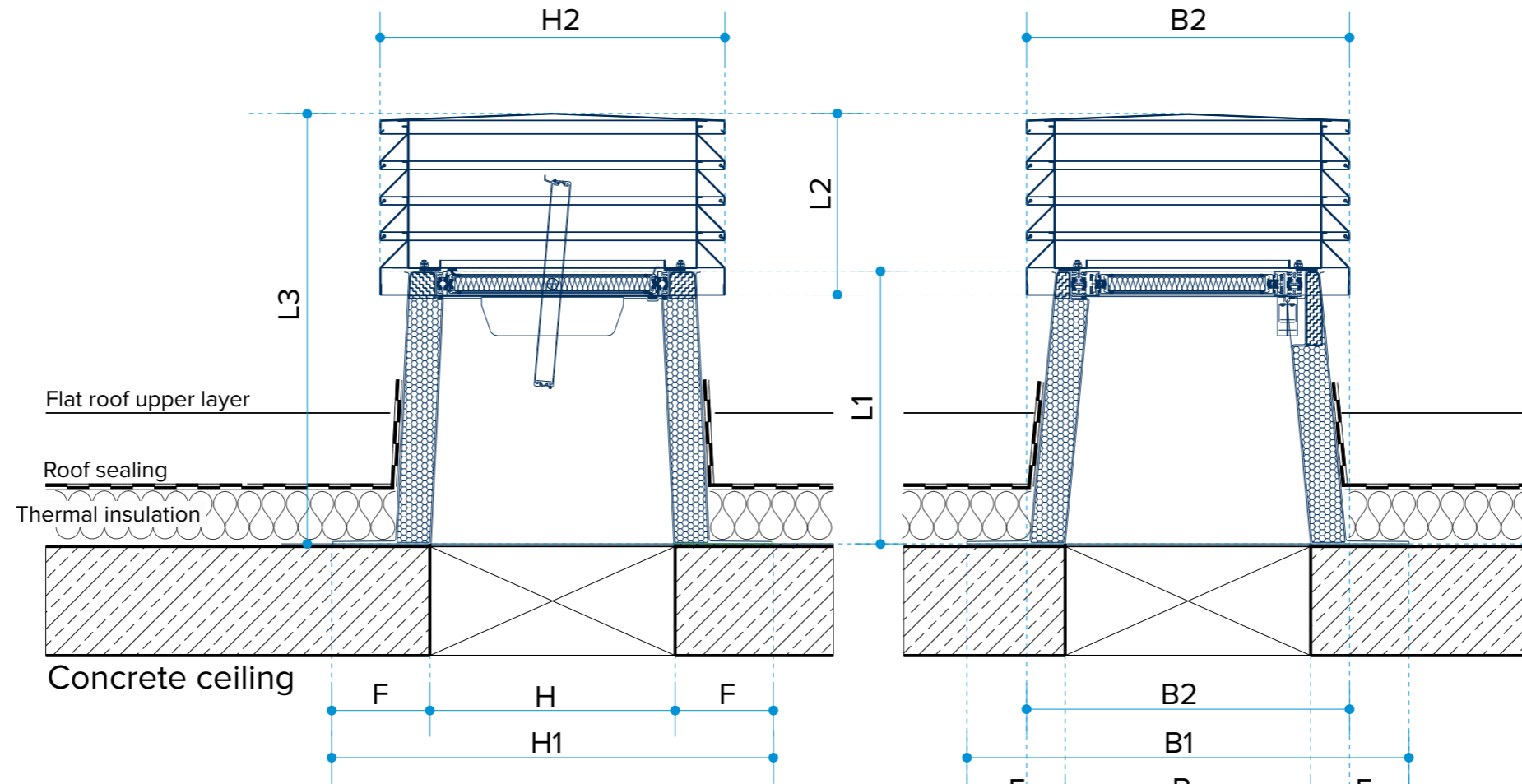
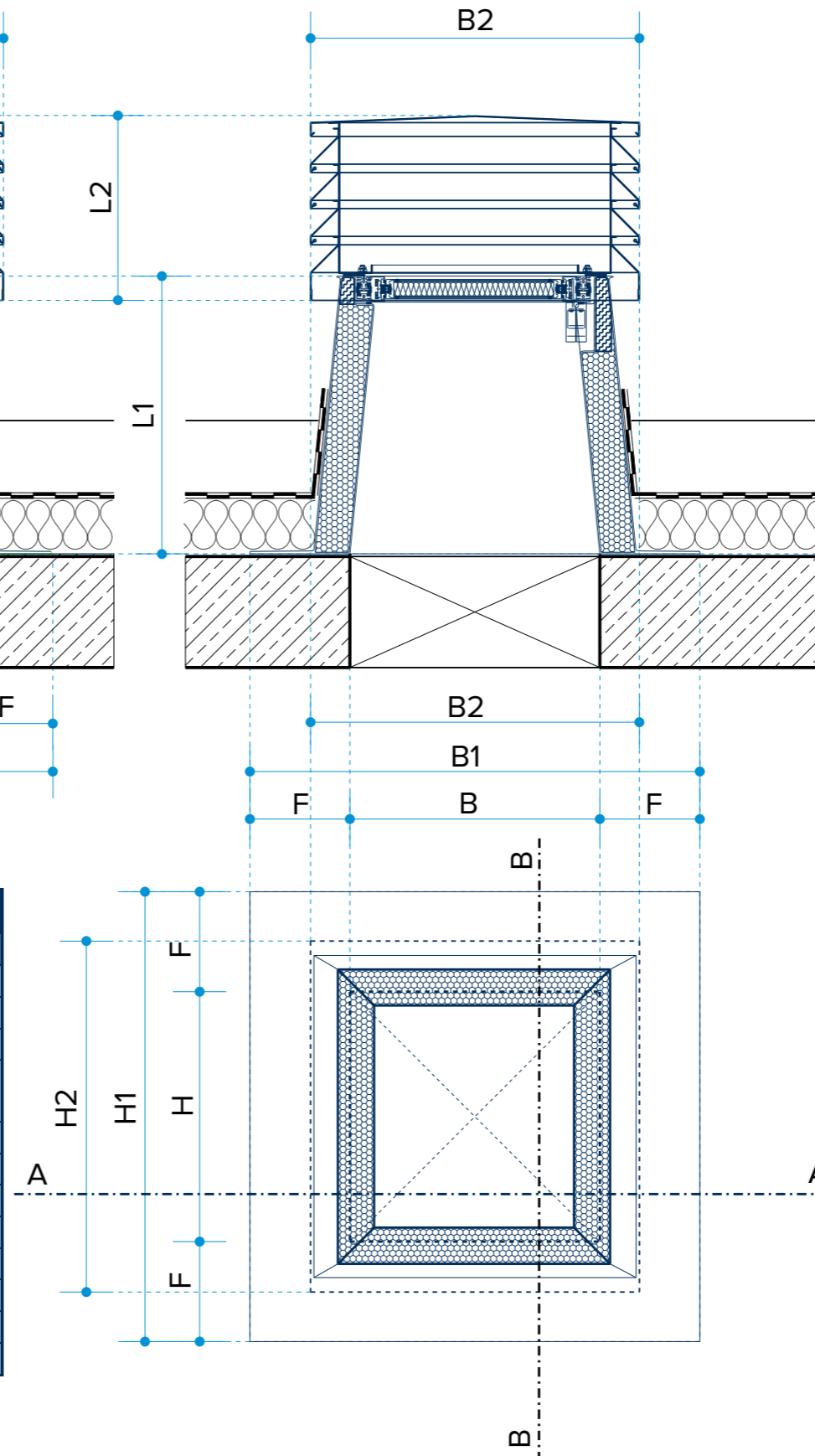


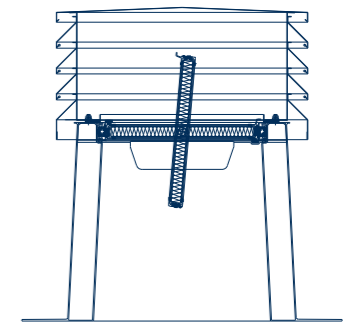
Section B-B



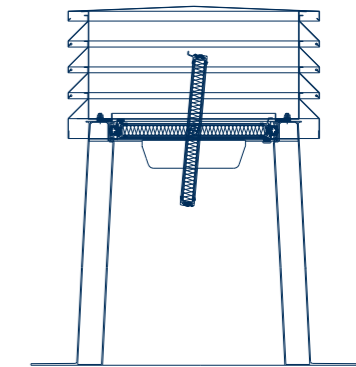
Section A-A



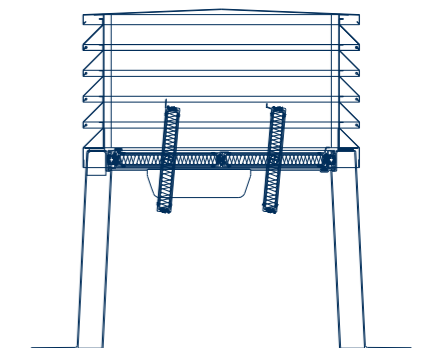
BK-TF 450 - 1 louvre



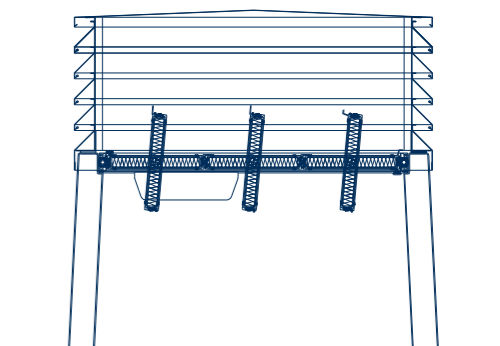
BK-TF 450 LONG - 1 louvre



BK-TF 600 - 2 louveres



BK-TF 800 - 3 louveres



BlueKit Thermo Flap (BK-TF) = base plate in fiberglass (GRP), louvre window + cover with blades				
Designation	BK-TF 450	BK-TF 450 LONG	BK-TF 600	BK-TF 800
Net ventilation surface (m <sup>2</sup> )	0,1	0,1	0,2	0,39
Base plate dimension (mm) B1xH1	810x810	810x810	960x960	1160x1160
Cover dimension (mm) B2xH2	595x630	595x630	745x780	950x985
<b>Maximum</b> opening dimension (mm) BxH	450x450	470x470	600x600	800x800
Flange width (mm) F	180	170	180	180
Base plate height (mm) L1	500	750	500	500
Cover height (mm) L2	332	332	332	385
Overall height (mm) L3	789	1039	789	842
U-Value (W/m <sup>2</sup> K)	0,41		0,46	0,55
Number of louvers	1	1	2	3
Weight (kg)	39	42	54	69
Article number TF	01.960.00	01.960.75	01.961.00	01.962.00

## BlueKit Thermo Flap (BK-TF)

Horizontal mounting (Roof)

Date: 27/05/2020

