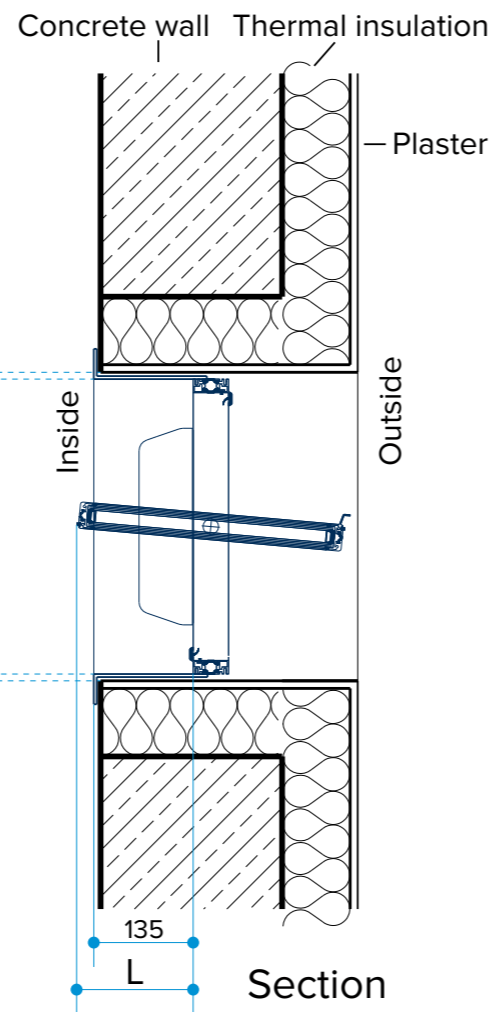
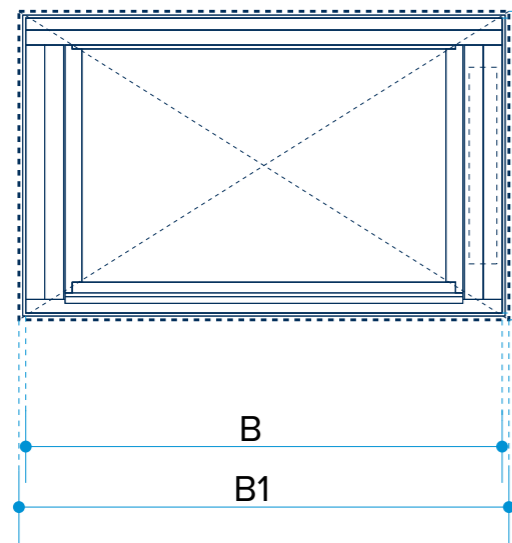


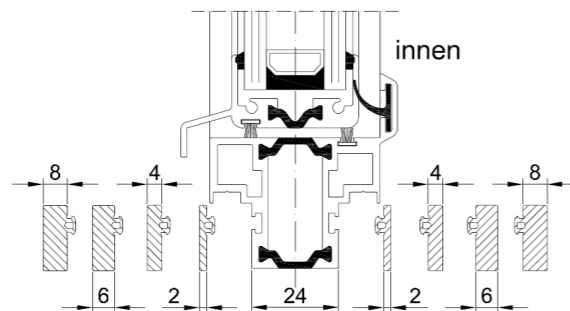
S9-iVt-05 LF-MR

Outside view



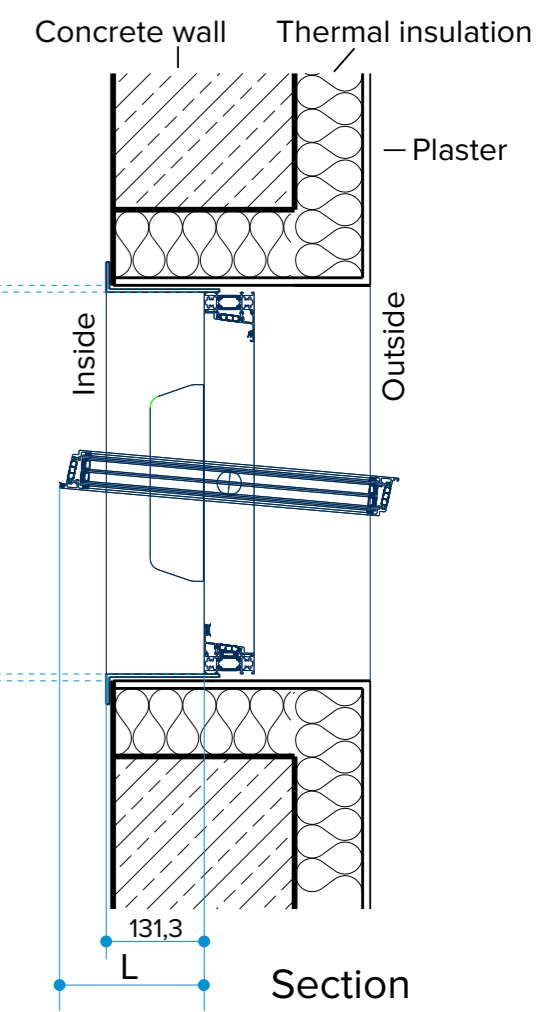
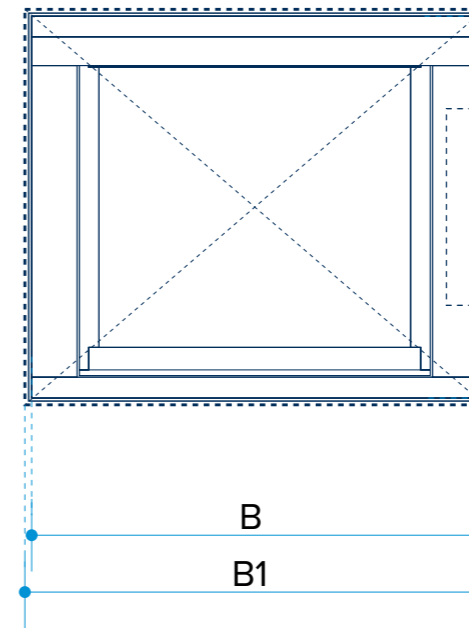
Frame also available as a clamping profile

Frame Type 2



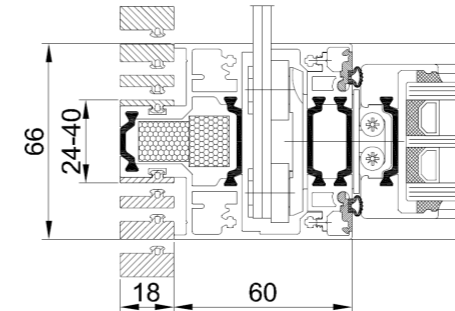
Tairmo LF-MR

Outside view

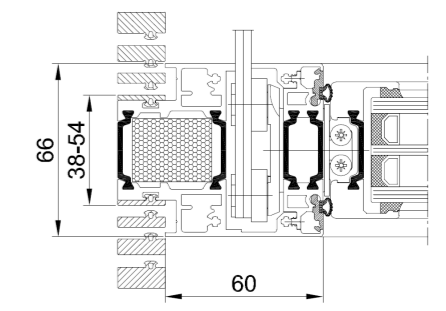


Frame also available as a clamping profile

Frame Type 2



Frame Type 3



S9-iVt-05 LF-MR* = louvre windows in sandwich panels (including mounting frame)

Designation according to the flap opening (mm) BxH	420x420	570x570	775x775
Net ventilation surface (m ²)	0,10	0,20	0,39
opening dimensions (mm) B1xH1	450x450	600x600	805x805
Window length (mm) L	169,1	111,2	101,1
Panel U _p -Value (W/m ² K)	1,0	1,0	1,0
Coef. U _w (W/m ² K)	2,5	2,3	2,1
Number of blades	1	2	3
Article number	01.950.00	01.952.00	01.953.00

Tairmo LF-MR* = louvre window with triple insulation glass (including mounting frame)

Designation according to the flap opening (mm) BxH	800x350	590x505	740x505	815x815
Net ventilation surface (m ²)	0,11	0,15	0,20	0,40
opening dimensions (mm) B1xH1	830x380	620x535	770x535	845x845
Window length (mm) L	114,2	191,4	191,4	162,4
Panel U _p -Value (W/m ² K)	0,7	0,7	0,7	0,7
Coef. U _w (W/m ² K)	1,9	1,8	1,7	1,6
Number of blades	1	1	1	2
Article number	01.956.00	01.957.00	01.958.00	01.959.00

*Louvre windows also available with double insulation glass. Other dimensions on request.

*Louvre windows also available in sandwich panels. Other dimensions on request.

Louvre windows S9-iVt-05 LF-MR

Louvre windows Tairmo LF-MR

Vertical mounting (facade)

Date: 19/05/2020

