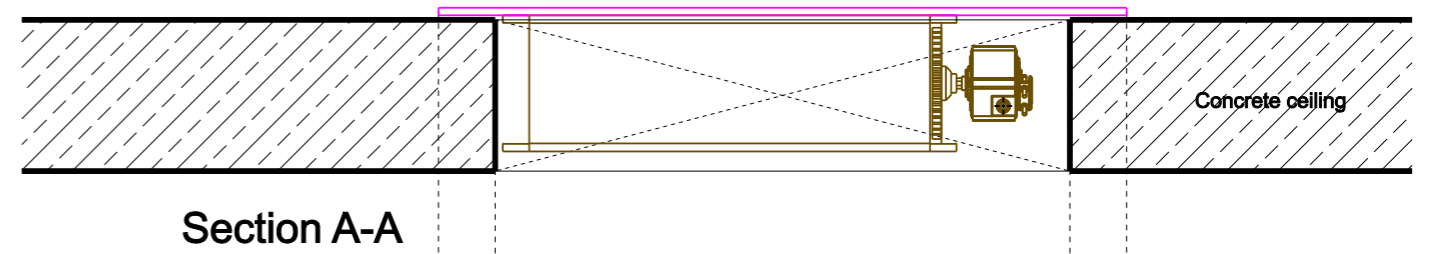
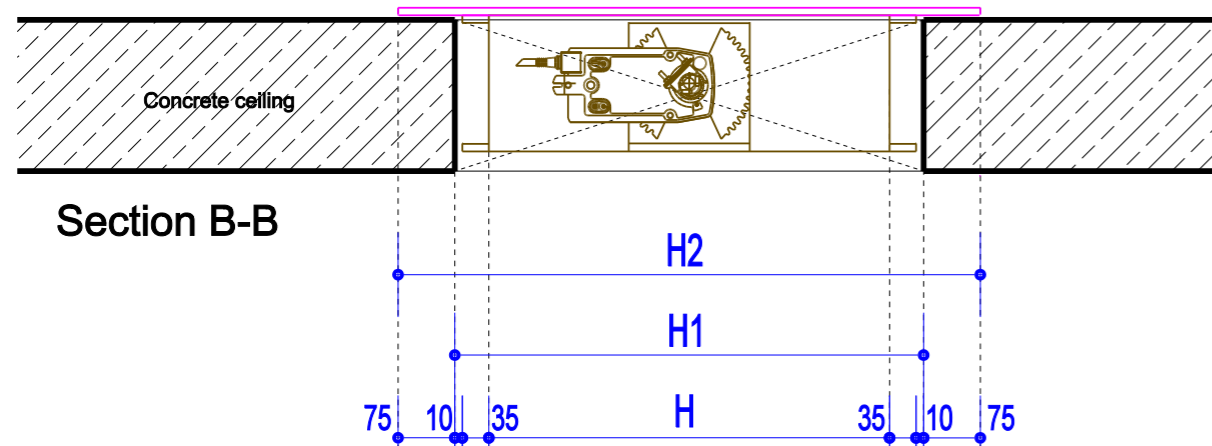
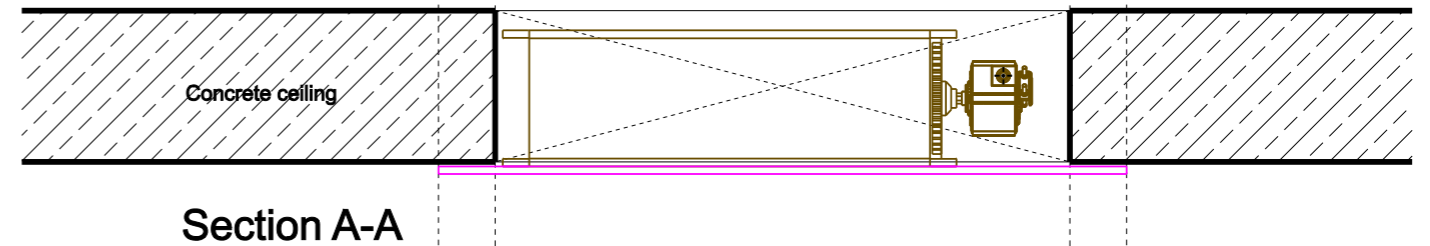
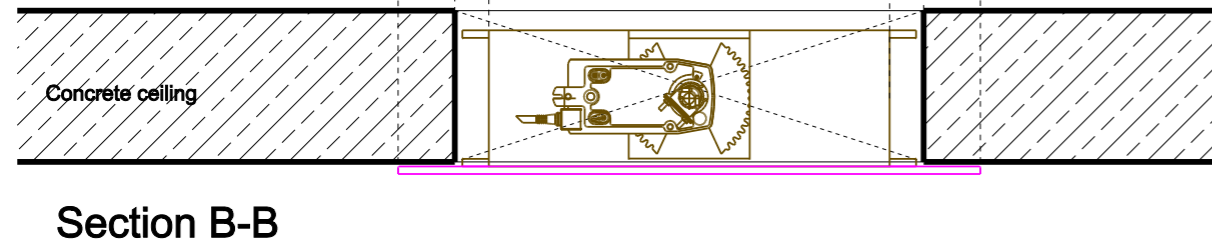


## MOUNTING FROM THE ROOF



## MOUNTING FROM THE SHAFT



| JK-180 HV = Ventilation flap with mounting plate               |           |           |            |             |             |             |
|--|-----------|-----------|------------|-------------|-------------|-------------|
| JK-180 HV  |           |           |            |             |             |             |
| Designation according to the ventilation flap opening (mm) BxH | 360x360   | 530x530   | 700x700    | 860x860     | 1030x1030   | 1200x1200   |
| Net ventilation surface (m <sup>2</sup> )                      | 0,10      | 0,23      | 0,41       | 0,62        | 0,90        | 1,22        |
| Opening dimensions (mm) B1 x H1                                | 590 x 450 | 760 x 620 | 930 x 790  | 1090 x 950  | 1260 x 1120 | 1430 x 1290 |
| Mounting plate dimensions (mm) B2 x H2                         | 740 x 600 | 910 x 770 | 1080 x 940 | 1240 x 1100 | 1410 x 1270 | 1580 x 1440 |

## Ventilation flap with mounting plate

SCALE 1:10  
DATE: 24.04.2014

