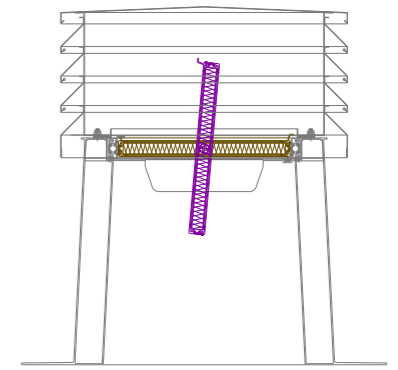
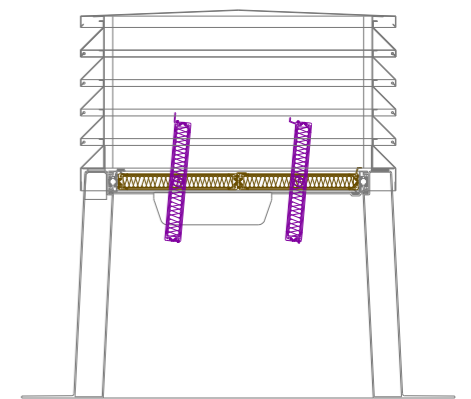


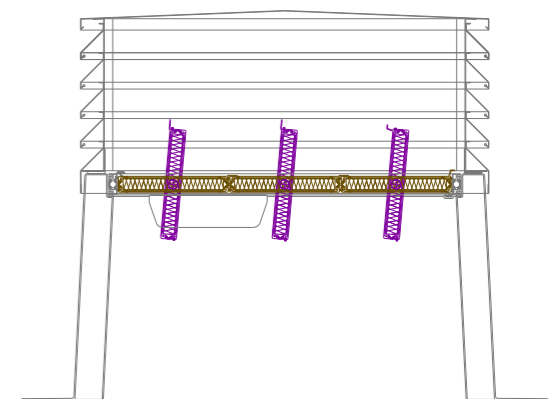
450 x 450mm - 1 blade



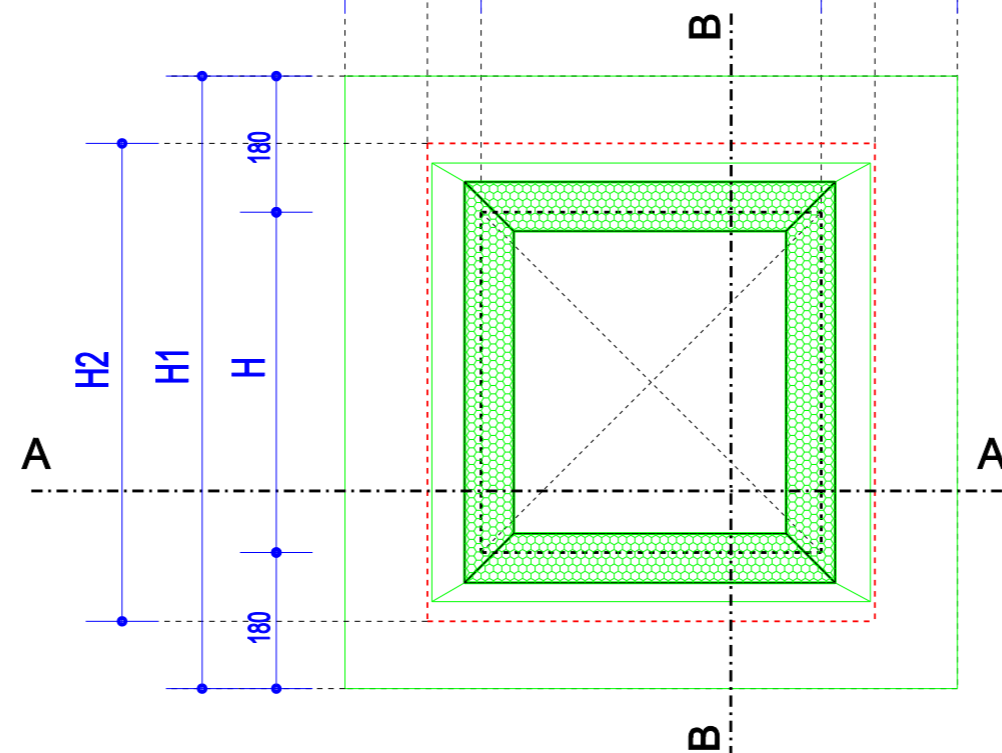
600 x 600mm - 2 blades



800 x 800mm - 3 blades



TF = base plate in fibreglass (GRP), louvre window + cover with blades			
TF			
Designation according to the opening dimensions (mm) BxH	450x450	600x600	800x800
Net ventilation surface (m ²)	0,10	0,20	0,39
Base plate dimensions (mm) B1xH1	810 x 810	960 x 960	1160 x 1160
Cover dimensions (mm) B2xH2	595 x 630	745 x 780	950 x 985
Base plate height (mm) L1	500	500	500
Cover height (mm) L2	332	332	385
Thermo Flap overall height (mm) L3	789	789	842
U-Value (W/m ² K)	0,41	0,46	0,55
Number of louvres	1	2	3



Base plate in fiberglass (GRP),
louvre windows + cover with blades

SCALE 1:10
DATE: 20.05.2015