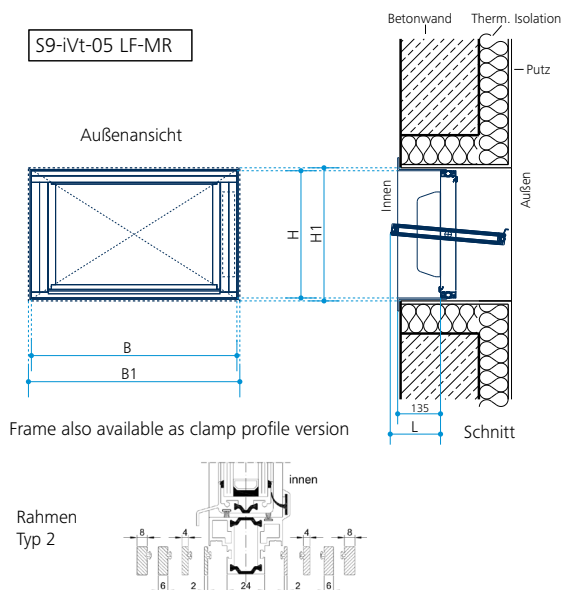


Louvre window S9-iVt-05 LF-MR and Tairmo-LF-MR

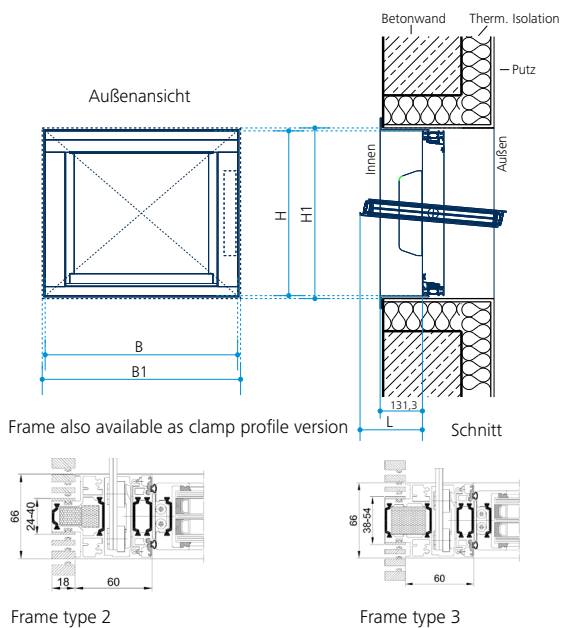
Designs and dimensions



Frame also available as clamp profile version

S9-iVt-05 LF-MR

Article name according to element dimensions W x H	420x420	570x570	775x775
Net ventilation area (m ²)	0.10	0.20	0.39
Unfinished opening (mm) W1xH1	450x450	600x600	805x805
Window length (mm) L	169.1	111.2	101.1
Panel U _p -value (W/m ² K)	1.0	1.0	1.0
U _w -value (W/m ² K)	2.5	2.3	2.1
Number of louvres	1	2	3



Frame also available as clamp profile version

Tairmo-LF-MR*

Article name according to element dimensions W x H	800x350	590x505	740x505	815x815
Net ventilation area (m ²)	0.11	0.15	0.20	0.40
Unfinished opening (mm) W1xH1	830x380	620x535	770x535	845x845
Window length (mm) L	114.2	191.4	191.4	162.4
Panel U _p -value (W/m ² K)	0.7	0.7	0.7	0.7
U _w -value (W/m ² K)	1.9	1.8	1.7	1.6
Number of louvres	1	1	1	2

*Other sizes are available on request.

Angle profile: 50 x 150 x 5 mm
50 x 50 x 5 mm and 50 x 100 x 5 mm dimensions
available on request.